

# vinylTherm<sup>®</sup> Stonechip Facade Profiles

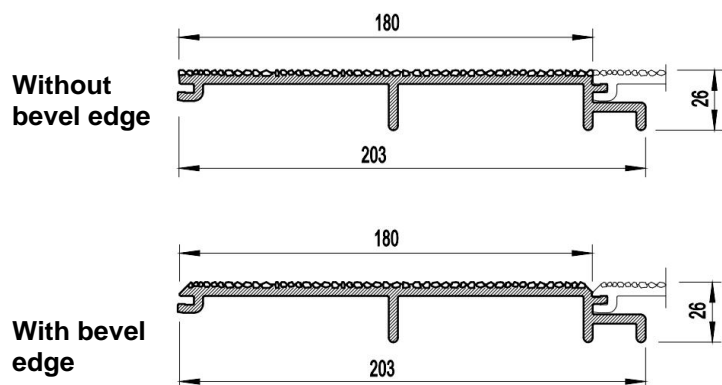
## Technical Data / Properties

**vinylTherm** Stonechip Facade Profiles are manufactured from high quality rigid plastic raw materials with natural stonechips welded into them.

### vinylTherm Facade Profiles with and without bevel edge

#### Dimensions / Weight

Width total	203	mm
Width cover	180	mm
Thickness	26	mm
Length	6,000	mm
Weight	6.4	kg/m <sup>2</sup>



#### Technical data/ Properties

Gross density	with aggregate	1.01	g/cm <sup>3</sup>	DIN 53479
	without	0.66	g/cm <sup>3</sup>	
Yield stress		≥ 14.5	N/mm <sup>2</sup>	DIN 53455
Tear strength		≥ 13.5	N/mm <sup>2</sup>	
Elongation to tear	(V=5mm/min)	≥ 20.0	N/mm <sup>2</sup>	
Bending stress	with aggregate	18.5	N/mm <sup>2</sup>	DIN 53452
	without	29.0	N/mm <sup>2</sup>	
Impact strength	with aggregate	30.0	KJ/m <sup>2</sup>	DIN 53453
	without	24.0	KJ/m <sup>2</sup>	
Elasticity module	with aggregate	646.0	N/mm	DIN 53457
	without	1197.0	N/mm	
Longitudinal expansion co-efficient		ca. 0.062	mm/mK	DIN 53752
Thermal conductivity	without	0.06	W/mK	DIN 52612

# vinyTherm® Stonechip Facade Profiles

## Technical Data/ Properties page 2

Water absorption	with aggregate	< 0,6	%	DIN 53495
	without	0,1	%	

Absorption		≤ 0,5	Degree $\alpha_e$	DIN 67507
------------	--	-------	-------------------	-----------

Building material class		Germany: B1 acc. to DIN 4102		
		UK: Class 0 acc. to BS 476		

## Assembly

Normal fixing		Vertical onto timber sub-construction
---------------	--	---------------------------------------

Tools		Normal woodworking tools
-------	--	--------------------------

Fixing		At 600 mm centres or closer
--------	--	-----------------------------

Fixings		Fixing screw 4.0 x 40 mm V2A with Torx Self drilling screw 3.5 x 25/17 mm V2A for aluminium sub-construction
---------	--	---

## Properties of use

Instructions for care		Cleaning with high-pressure cleaner
-----------------------	--	-------------------------------------

Guarantee		30 years
-----------	--	----------

## Stonechip-colours

Alpin	Elba
Dolomit	Bordeaux
Tirol	Ravenna
Sahara	Montana
Helios	Madeira
Aqua	Granit
Toscana	Basalt



A SURTECO COMPANY  
Vinylit Fassaden GmbH  
Gobietstraße 10  
D-34123 Kassel/ Germany  
Telefon +49(0)561/9591-333  
Fax +49(0)561/9591-302  
e-mail info@vinylit.de  
Internet www.vinylit.com